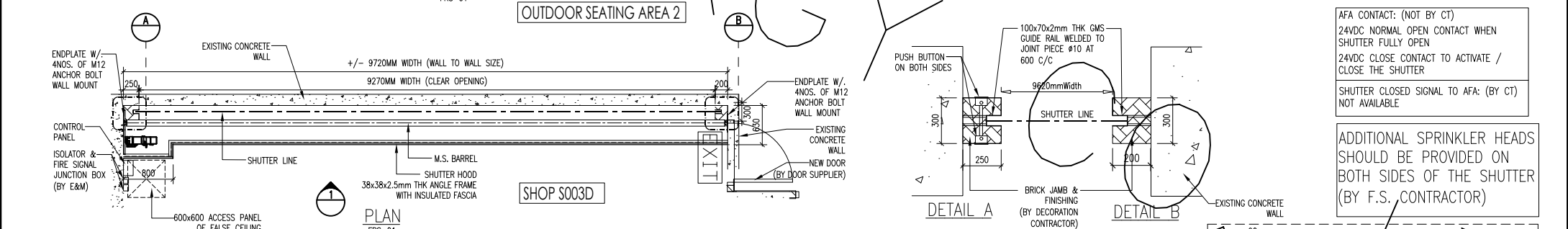


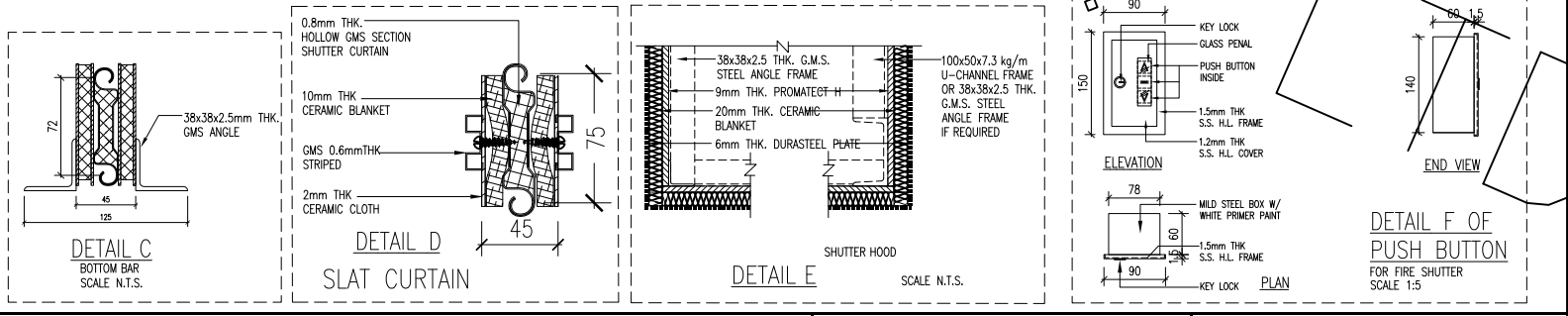
- REMARKS:
- 1) PUSH BUTTON TO BE 1200mm FROM F.F.L.
 - 2) ISOLATOR & FIRE SIGNAL JUNCTION BOX TO BE PROVIDED BY OTHERS ADJACENT TO MOTOR (WITHIN 1000mm).
 - 3) ALL DIMENSION IN mm & ALL FIXING DETAILS SHOULD BE VERIFIED ON SITE.
 - 4) IF THERE IS FALSE CEILING, A 600x600 ACCESS PANEL MUST BE PROVIDED BY OTHERS FOR SHUTTER MAINTENANCE.
 - 5) AN EVEN FINISHED FLOOR LEVEL SHOULD BE PROVIDED WITHIN THE SHUTTER LINE AREA.
 - 6) ALL INSULATED FIRE SHUTTERS ARE NOT ALLOWED TO BE USED FOR SECURITY PURPOSE.

F.R.R. (-/240/90) VERTICAL SHUTTER	
SHUTTER MAKE	FRS-01
(CLEAR OPENING) WIDTH & HEIGHT	9270W x 3100H
WEIGHT OF SHUTTER CURTAIN	28KG/M2 1300KG
WEIGHT OF BARREL	28KG/M 275KG
WEIGHT OF SHUTTER HOOD	COVER:28.4/M2 FRAME:9.2/M 600KG
POWER SOURCE	380V 50HZ 15A
MANUAL OPERATION	PUSH BUTTON AND HAND CHAIN



AFA CONTACT: (NOT BY CT)
 24VDC NORMAL OPEN CONTACT WHEN SHUTTER FULLY OPEN
 24VDC CLOSE CONTACT TO ACTIVATE / CLOSE THE SHUTTER
 SHUTTER CLOSED SIGNAL TO AFA: (BY CT) NOT AVAILABLE

ADDITIONAL SPRINKLER HEADS SHOULD BE PROVIDED ON BOTH SIDES OF THE SHUTTER (BY F.S. CONTRACTOR)



DRAWING NO. : ST-KCW-01			CLIENT : TO WHOM IT MAY CONCERN			PRODUCT SUPPLIER NAME :			APPROVED BY 批核 :		
DRAWN BY : WAI			PROJECT :			PRO ENERGY CO. LTD.			CHOP & SIGNATURE 蓋印及簽署		
DATE : 26TH JAN. 2023						FLAT A9, 18/F, richwealth industrial building, 144-148 yeung uk road, tsuen wan, n.t., h.k. TEL: 3691 8768, FAX: 3691 8769, info@hkproenergy.com					
SCALE : N.T.S.			DRAWING TITLE : FIRE RESISTANCE RATING VERTICAL ROLLER SHUTTER (-/240/90) INTEGRITY PERFORMANCE 240MINS.			DATE 日期					
REV	DATE	BY									