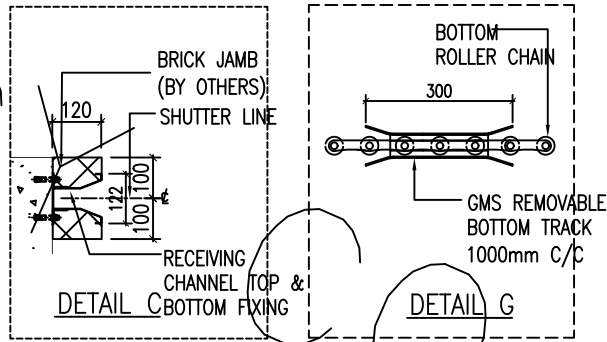
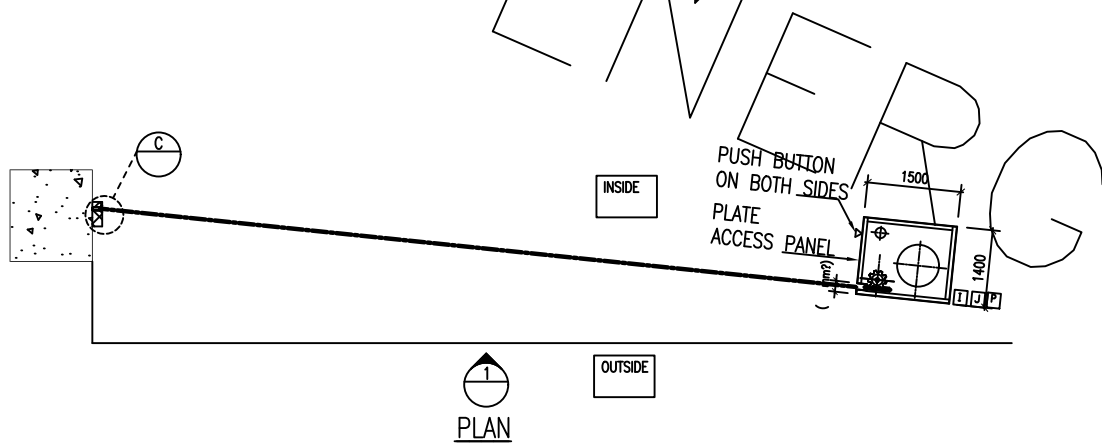
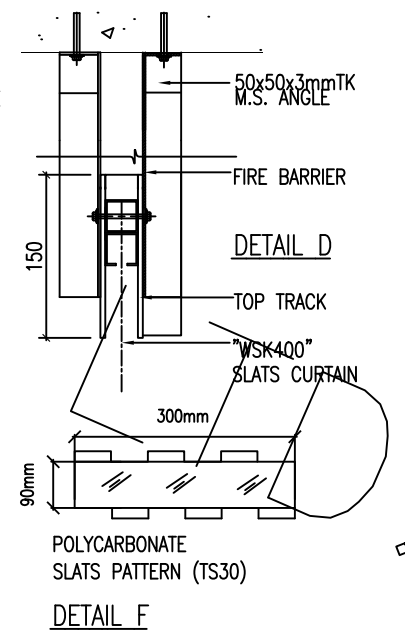
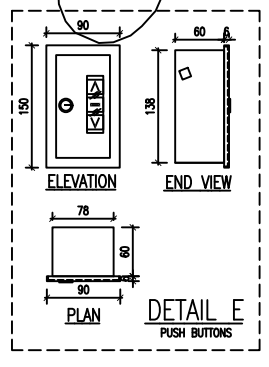
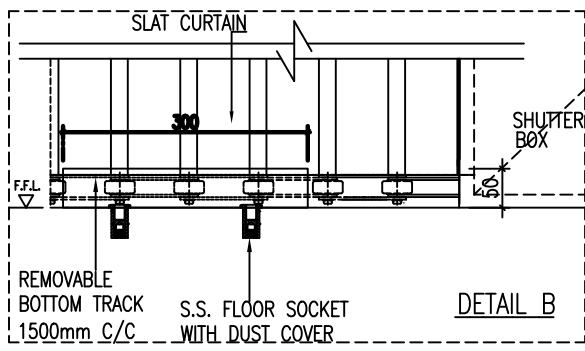
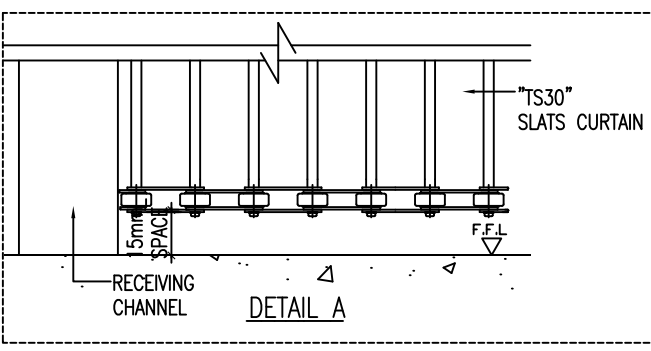


"TS30" SECURITY LATERAL SLIDING SHUTTER	
CLEAR WIDTH & HEIGHT	9500mmW X 2500mmH
POWER SOURCE	220V / 380V 50HZ 15A
MANUAL OPERATION	PUSH BUTTON AND HAND CHAIN
SLAT CURTAIN	WSK400 POLYCARBONATE PANEL
RECEIVING CHANNEL	1.2mm S.S 304
LEADING EDGE	S.S 304
HOOD SIZE WIDTH x HEIGHT	N/A
OTHER	N/A

- GENERAL NOTE
1. CHIPPING AND MORTAR FILLING WORK FOR SWITCH BOX AND CONDUIT BY BUILDER'S WORK.
 2. PUSH BUTTON TO 1200mm FROM F.F.L.
 3. ALL DIMENSION IN mm.
 4. AN EVEN FLOOR LEVEL MUST BE PROVIDED THROUGHOUT TRAVEL OF THE SHUTTER.



- I — ISOLATOR WITHIN 1m FROM SHUTTER MOTOR SHOULD BE PROVIDED BY E & M CONTRACTOR.
- ☒ — PUSH BUTTON.



DRAWING NO. : -	CLIENT : TYPICAL DRAWING
DRAWN BY : -	PROJECT : SHOPPING MALL
DATE : -	
SCALE : N.T.S.	

DRAWING TITLE : MOTOR OPERATED SECURITY ROLLER SHUTTER (TYPICAL) TRANSPARENT CURTAIN OF TS30		
REV	DATE	BY

PRODUCT SUPPLIER NAME :
PRO ENERGY CO. LTD.
 Unit A9, 18/F, Richwealth Industrial Bldg.,
 144-146 Yeung Uk Road, Tsuen Wan, N.K. H.K.
 TEL: 852 3691 8768 Email: info@hkproenergy.com
www.hkproenergy.com

APPROVED BY 批核 :

 CHOP & SIGNATURE 蓋印及簽署
 DATE: 日期: