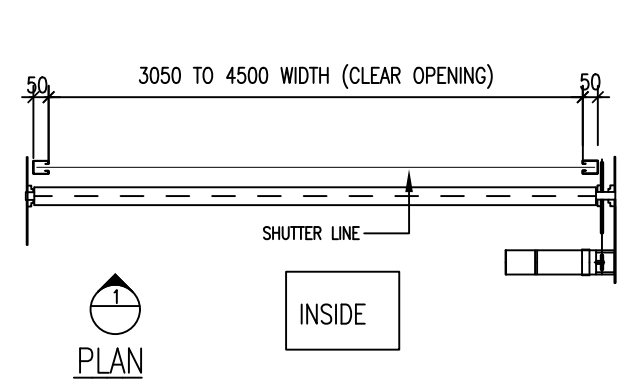
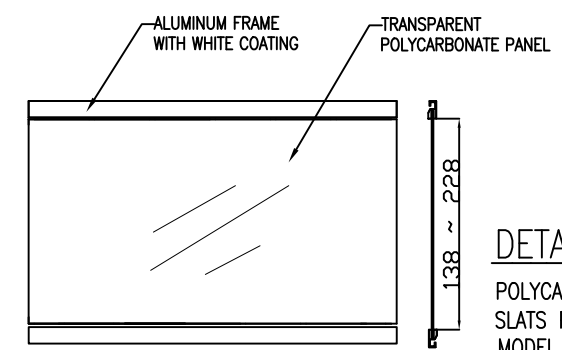


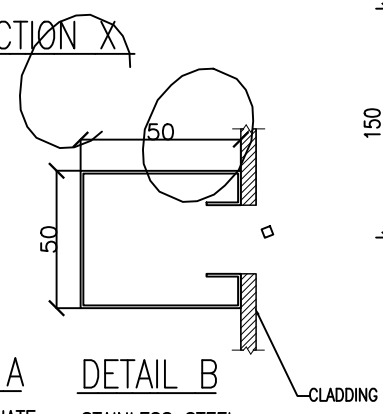
ELEVATION 1



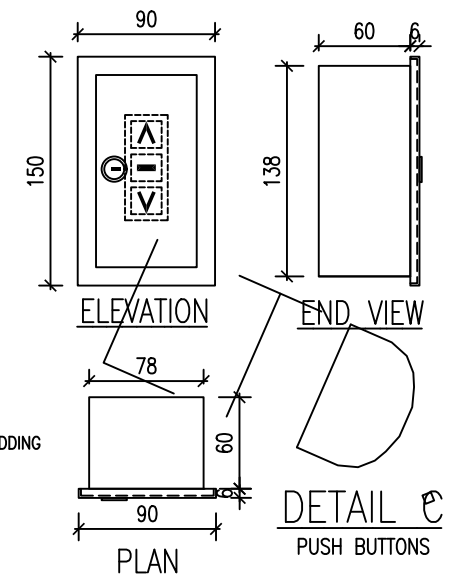
PLAN



DETAIL A  
POLYCARBONATE  
SLATS PATTERN  
MODEL NO. TS80



DETAIL B  
STAINLESS STEEL  
GUIDERAIL



MODEL NO. WSK380	
SLATS NO. (a) (FROM LOWER TO UPPER)	PITCH (mm)
1	138
2	138
3	150
4	150
5	168
6	168
7	180
8	180
9	198
10	198
11	210
12	210
13	228
14	228

SCHEDULE 1

ELEVATION

END VIEW

PLAN

DETAIL c  
PUSH BUTTONS

DRAWING NO. : -			CLIENT : TYPICAL DRAWING			PRODUCT SUPPLIER NAME : PRO ENERGY CO. LTD.			APPROVED BY 批核 :		
DRAWN BY : -			PROJECT :			FLAT A9, 18/F, Richwealth Industrial Building, 144-146 Yeung Uk Road, Tsuen Wan, N.T. H.K.					
DATE : -						TEL: 852 3691 8768 Email: info@hkproenergy.com					
SCALE : N.T.S.			DRAWING TITLE : MOTOR OPERATED TRANSPARENT VERTICAL ROLLER SHUTTER MODEL TS80			www.hkproenergy.com			CHOP & SIGNATURE 蓋印及簽署		
REV	DATE	BY							DATE 日期		