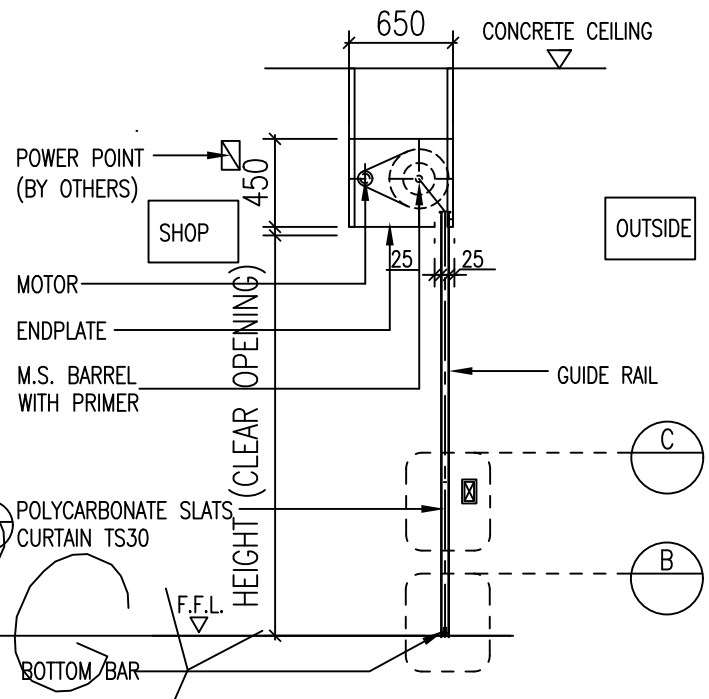
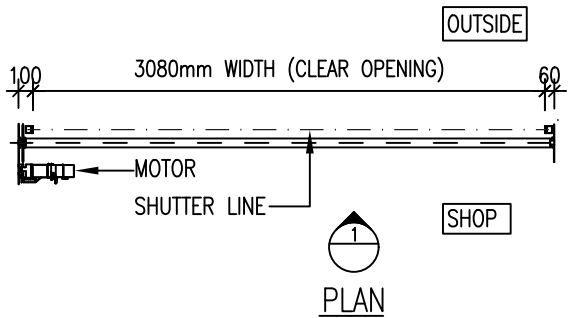


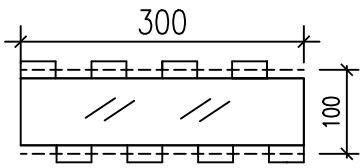
ELEVATION 1



SECTION X

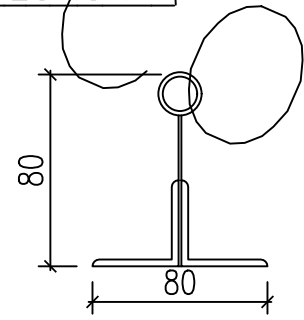


PLAN



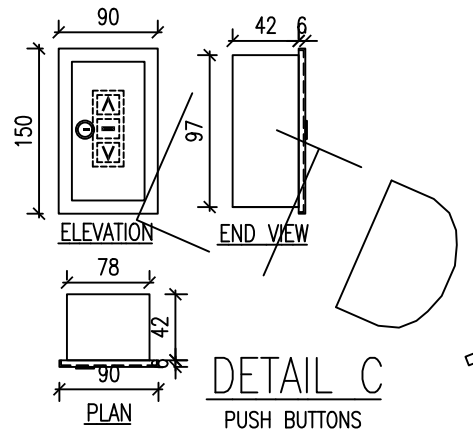
POLYCARBONATE SLATS PATTERN (TS30)

DETAIL A



NATURAL ANODIZE ALUMINIUM BOTTOM BAR

DETAIL B



DETAIL C
PUSH BUTTONS

REMARKS:

- 1) PUSH BUTTON TO BE 1200mm FROM F.F.L.
- 2) ISOLATOR TO BE PROVIDED BY OTHERS ADJACENT TO MOTOR (WITHIN 1 METER)
- 3) ALL DIMENSION IN mm & SHOULD BE VERIFIED ON SITE.
- 4) MANUAL HAND - CHAIN WOULD BE PROVIDED AT MOTOR SIDE ONLY
- 5) SHUTTER HOOD IS NOT NEEDED IF THERE IS FALSE CEILING

MOTOR OPERATED SECURITY ROLLER SHUTTER	
CLEAR WIDTH & HEIGHT	3080MM W X 2390MM H
POWER SOURCE	1Ø 220V 50HZ 15A
MANUAL OPERATION	PUSH BUTTON AND HAND CHAIN
SLAT CURTAIN	POLYCARBONATE SLATS CURTAIN TS30
GUIDE RAIL	50x50x1.2mm THK/ S.S 304
BOTTOM BAR	WHITE COLOUR ALUMINIUM
HOOD	N/A

0 REV	DATE	BY	DRAWING NO. : -	CLIENT : TO WHOM IT MAY CONCERN	PRODUCT SUPPLIER NAME : PRO ENERGY CO. LTD. Unit A9, 18/F, Richwealth Industrial Bldg., 144-146 Yeung Uk Road, Tsuen Wan, N.K. H.K. TEL: 852 3691 8768 Email: info@hkproenergy.com www.hkproenergy.com	APPROVED BY 批核: CHOP & SIGNATURE 蓋印及簽署	DATE 日期
			DRAWN BY : -	PROJECT : -			
			DATE : -				
			SCALE : N.T.S.				
DRAWING TITLE : MOTOR OPERATED SECURITY ROLLER SHUTTER (TYPICAL) TRANSPARENT CURTAIN OF TS30							