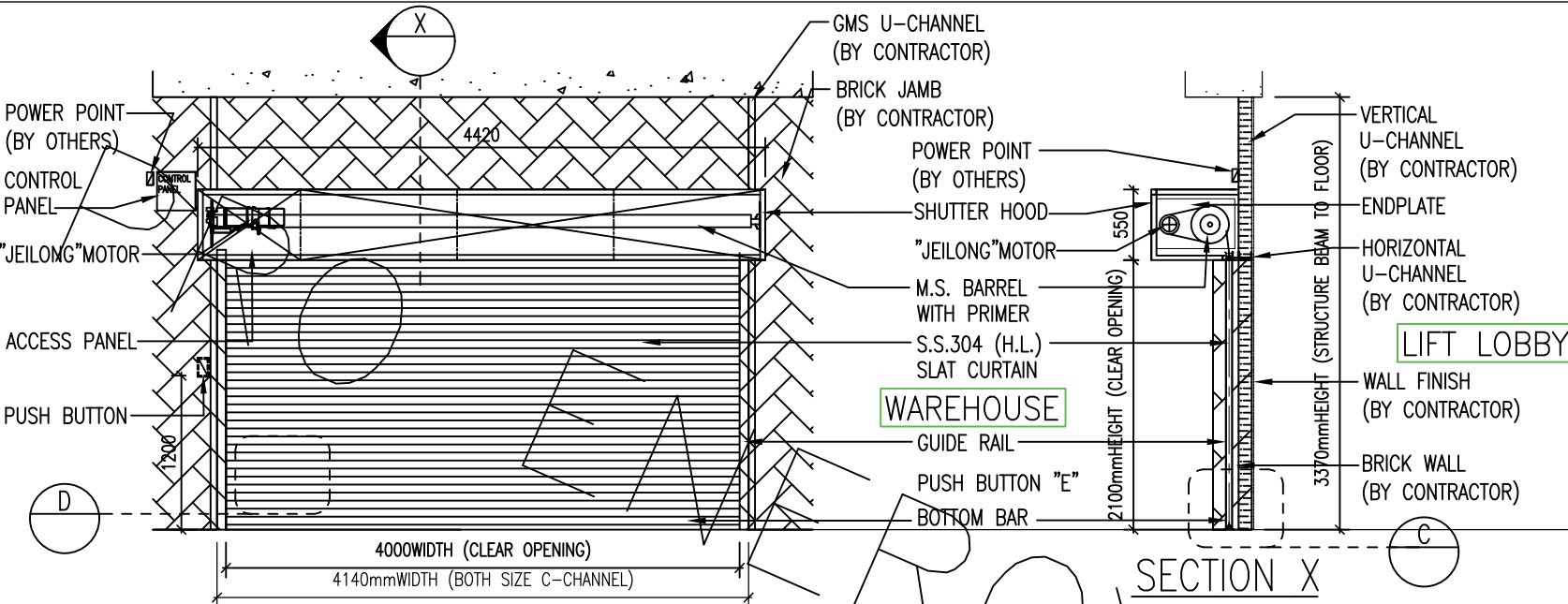
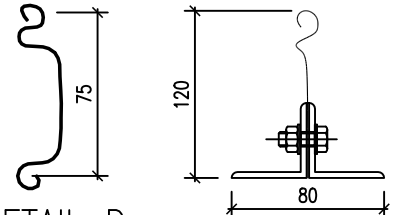


S75E MODEL STAINLESS STEEL GRADE 304 ROLLER SHUTTER (S.S.304)	
SIZE:	SIZE: 4000mmWx2100mmH (CLEAR OPENING)
CURTAIN:	S.S. 304 (HAIRLINE)
GUIDERAIL:	S.S. 304 (HAIRLINE)
BOTTOM BAR:	S.S. 304 (HAIRLINE)
OPERATOR:	"JEILONG" BRAND SINGLE PHASE (220V.)
OPERATION:	PUSH BUTTON W/ WALL MOUNT
SHUTTER HOOD:	S.S.304 HAIRLINE SHEET GMS ANGLE FRAME
TOTAL WEIGHT:	200KG



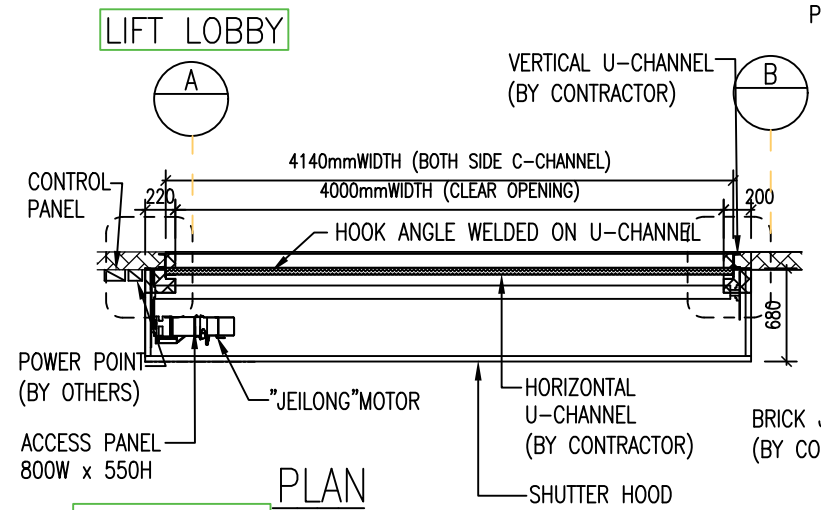
ELEVATION
(VIEW FROM INSIDE)

SECTION X



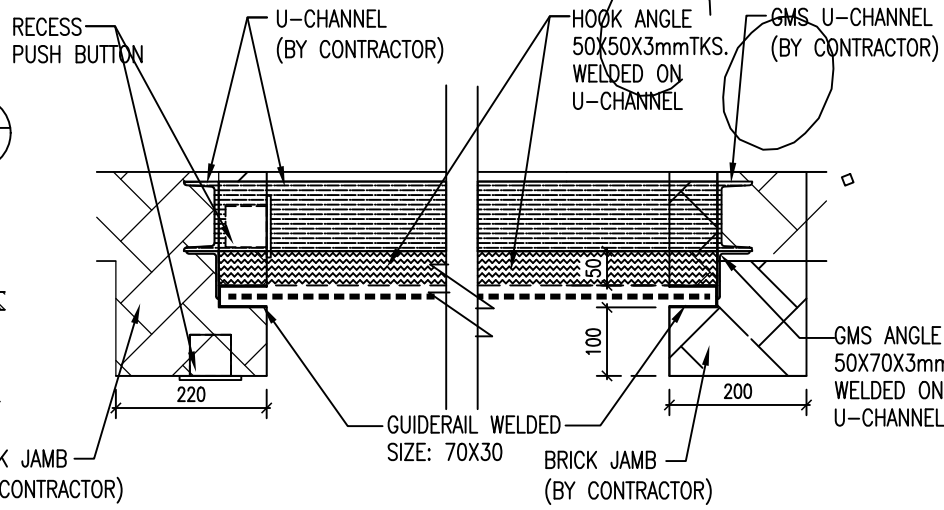
DETAIL D
SLATS PATTERN (S.S.304)

DETAIL C
S.S.304 BOTTOM BAR



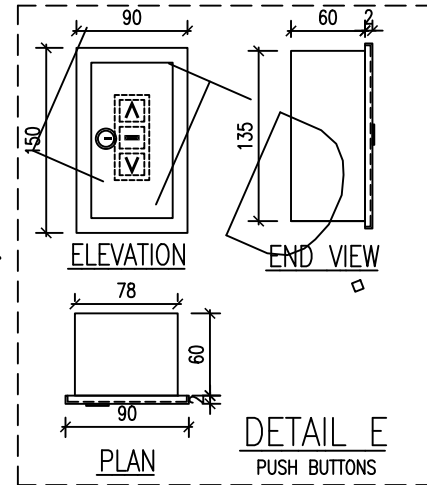
WAREHOUSE

PLAN



DETAIL A

DETAIL B



PLAN

DETAIL E
PUSH BUTTONS

DRAWING NO. : ST-KCW-01			CLIENT : TO WHOM IT MAY CONCERN			PRODUCT SUPPLIER NAME : PRO ENERGY CO. LTD.			APPROVED BY 批核 :					
DRAWN BY : WAI			PROJECT : -			FLAT A9, 18/F, richwealth industrial building, 144-148 yeung uk road, tsuen wan, n.t., h.k. TEL: 3691 8768, FAX: 3691 8769, info@hkproenergy.com			CHOP & SIGNATURE 蓋印及簽署			DATE 日期		
DATE : 26TH JAN. 2023														
SCALE : N.T.S.														
DRAWING TITLE : FIRE RESISTANCE RATING VERTICAL ROLLER SHUTTER (- / 120 / -) INTEGRITY PERFORMANCE 120 MINS.														
REV	DATE	BY												