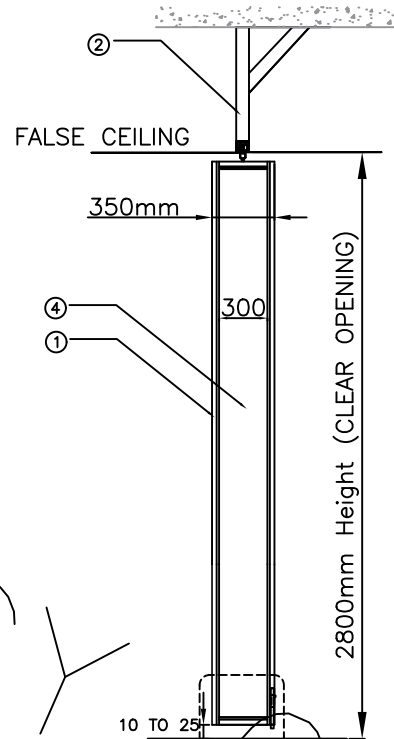
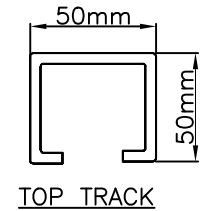


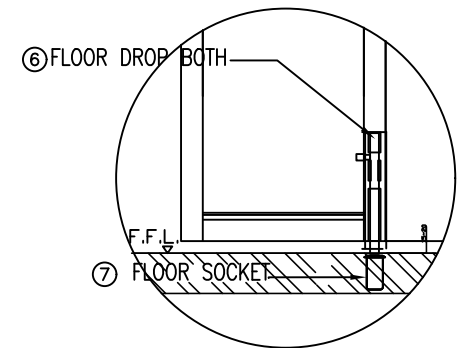
ELEVATION
正視圖
1



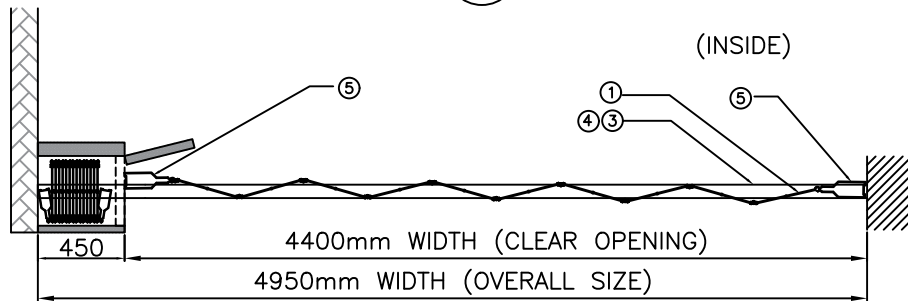
SECTION
側視圖
2



TOP TRACK



DETAIL
大樣圖
3



PLAN
平面圖
1

- ① LEAF
(焗白)鋁開葉
- ② FIXING BRACKET TO SUPPORT SHUTTER WEIGHT (BY FITOUT CONTRACTOR)
可支撐開身重量的支架(由他可負責)
- ③ TOP TRACK
鋁水頂軌
- ④ 3mm THK. TRANSPARENT POLYCARBONATE PANEL INSERT INTO ALUMINUM FRAME WITH WHITE POWER COATING
焗白色鋁合金框夾3mm厚 透明聚碳酸酯脂片
- ⑤ LEADING EDGE WITH TOP BOLT LOCK, KEY AT OUTSIDE. AND BOTTOM DROP BOLT WITH PAD LOCK RING
(焗白)頭柱配備天鎖,鎖匙設置於室外及外置式地插門
- ⑥ S/S DUST PROOF SOCKET
不銹鋼地插
- ⑦ FLOOR BOLT AT INSIDE ONLY
地栓

DRAWING NO. : -	CLIENT : TO WHOM IT MAY CONCERN	PRODUCT SUPPLIER NAME :	APPROVED BY批核 :
DRAWN BY : -	PROJECT : TYPICAL DRAWING	PRO ENERGY CO. LTD. FLAT A9, 18/F., RICHWEALTH INDUSTRIAL BUILDING, 144-146 YEUNG UK ROAD, TSUEN WAN, N.T. H.K. TEL: 852 3691 8768, FAX: 36918769, INFO@HKPROENERGY.COM	CHOP & SIGNATURE 蓋印及簽署
DATE : -			
SCALE : N.T.S.	DRAWING TITLE : MANUAL OPERATED TRANSPARENT FOLDING SLIDING DOOR MODEL TF30 WITH TOP & BOTTOM LOCK		
REV	DATE	BY	